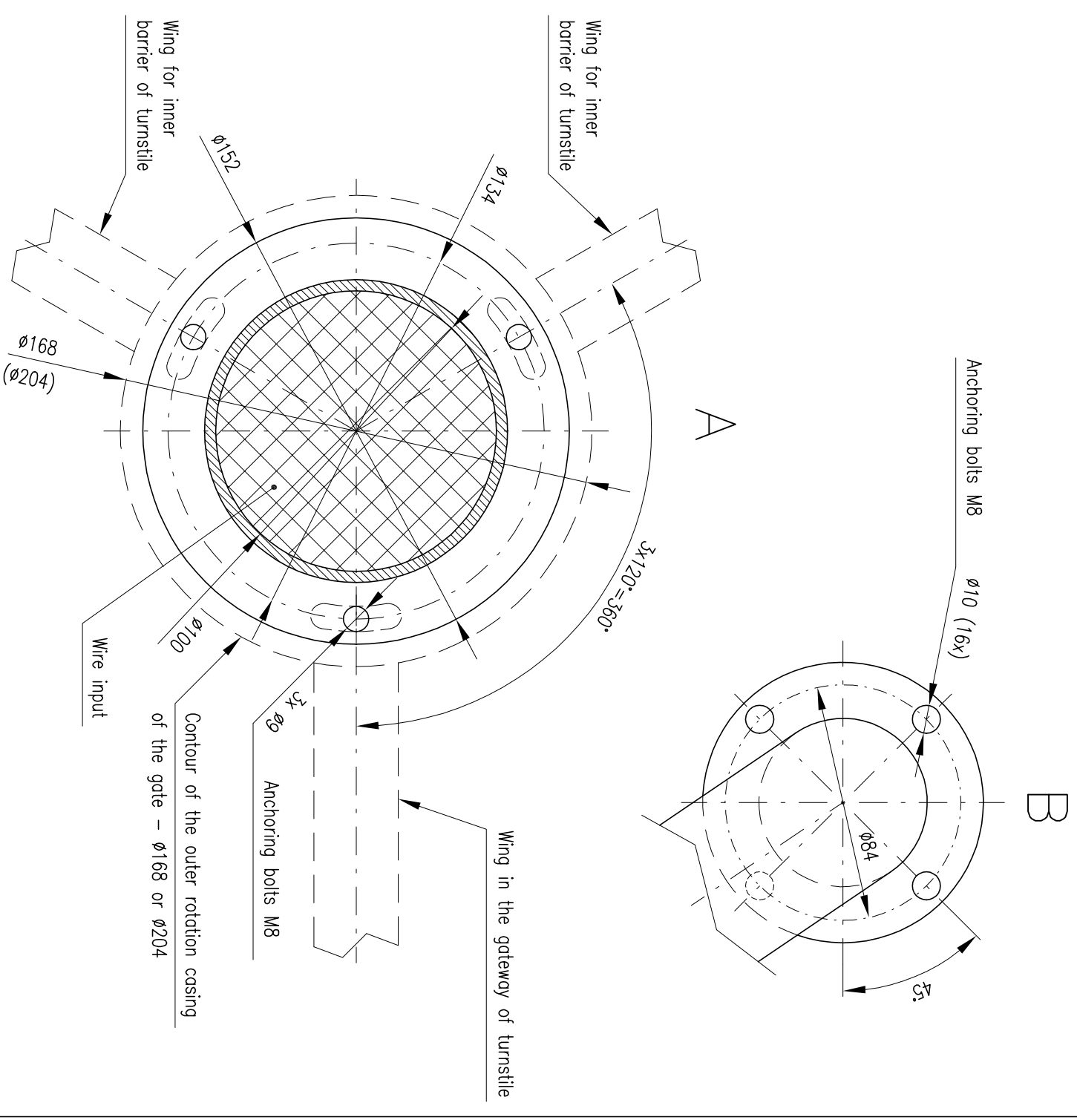
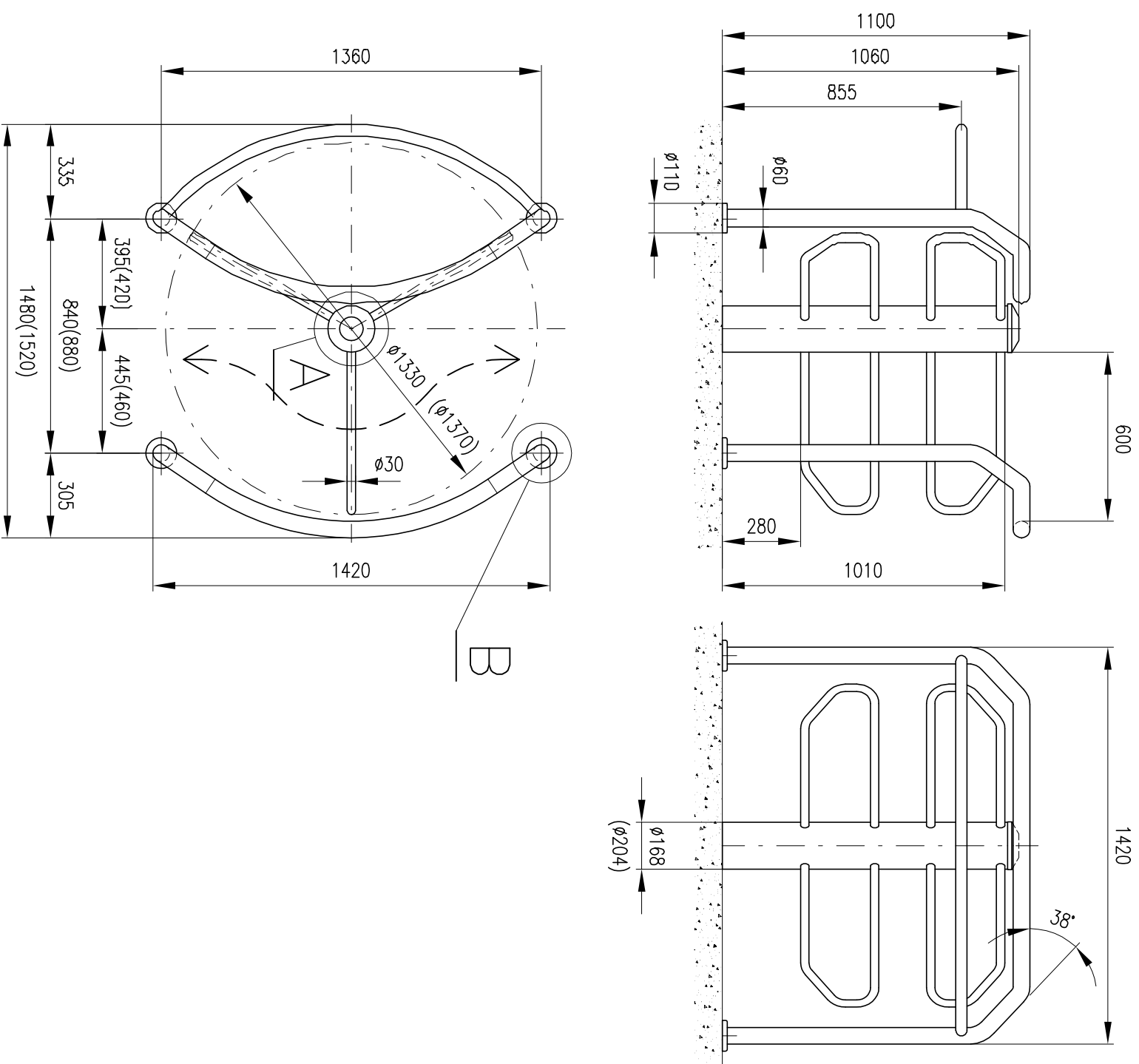


M1:20



- Kable entry for RFID reader by any barrier
- Dimensions in the brackets are valid for design of turnstile with outer rotation casing of the gate $\phi 204\text{mm}$

Date	11/10/2010	Drawn by	Material						
Size	A3	Project:	Turnstile ROUND-J						
Scale	1:2	Title:	Anchoring dimensions						
		D.No.	PK 101011-1			Order No.		Part/Parts	Version

CODARINI