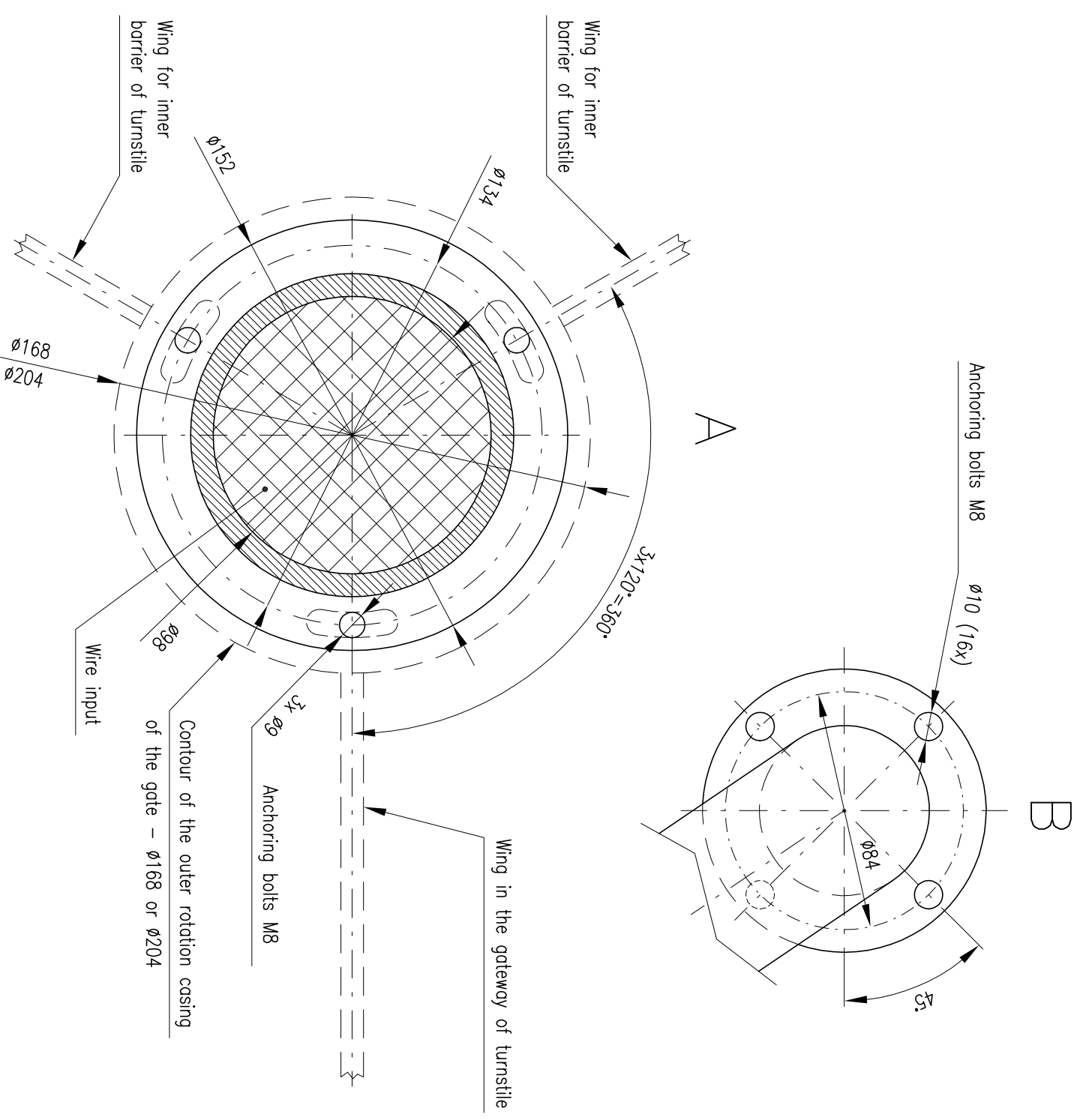
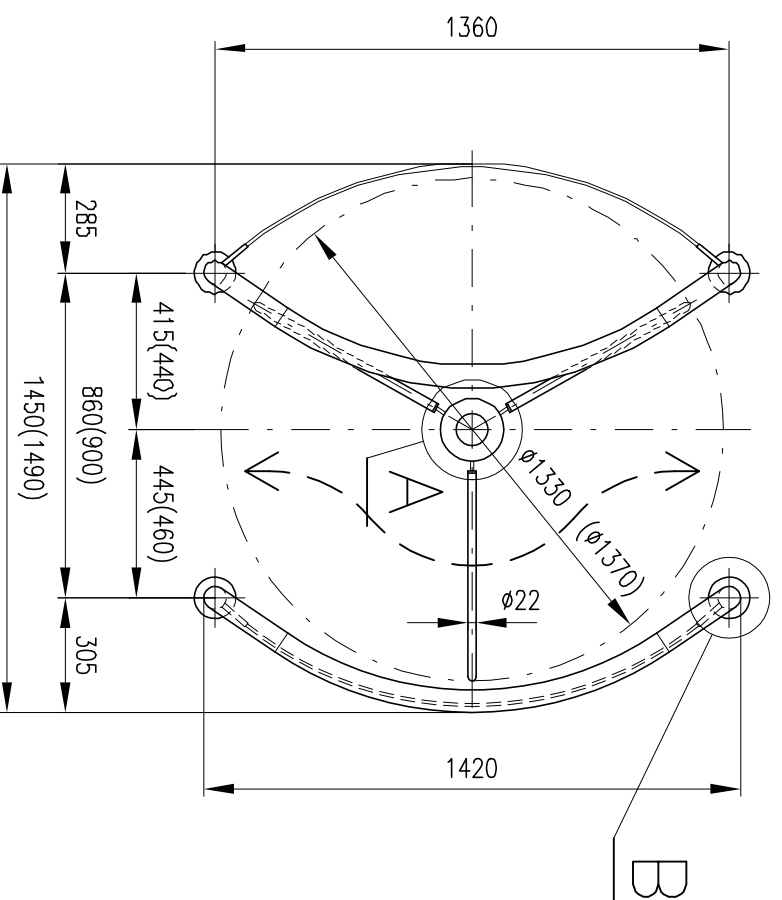
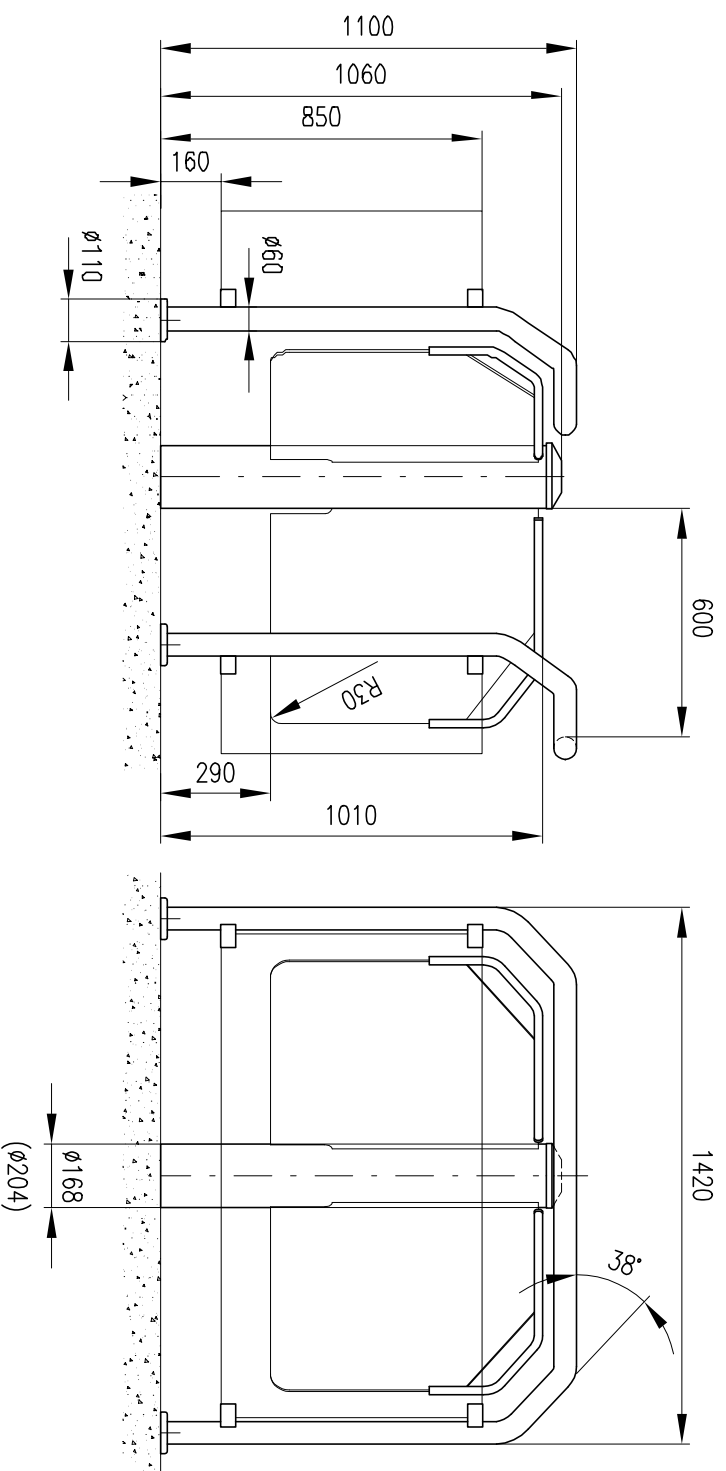


M1:20



- Kable entry for RFID reader by any barrier
- Dimensions in the brackets are valid for design of turnstile with outer rotation casing of the gate Ø204mm

Date	11/10/2010	Drawed by	Material	
Size	A3	Project:	Turnstile ROUND-F	
Scale	1:2	Title:	Anchoing dimensions	
		D.No.	PK 101011-4	Version
				Part/Parts
CODARINI				
		Order No.		