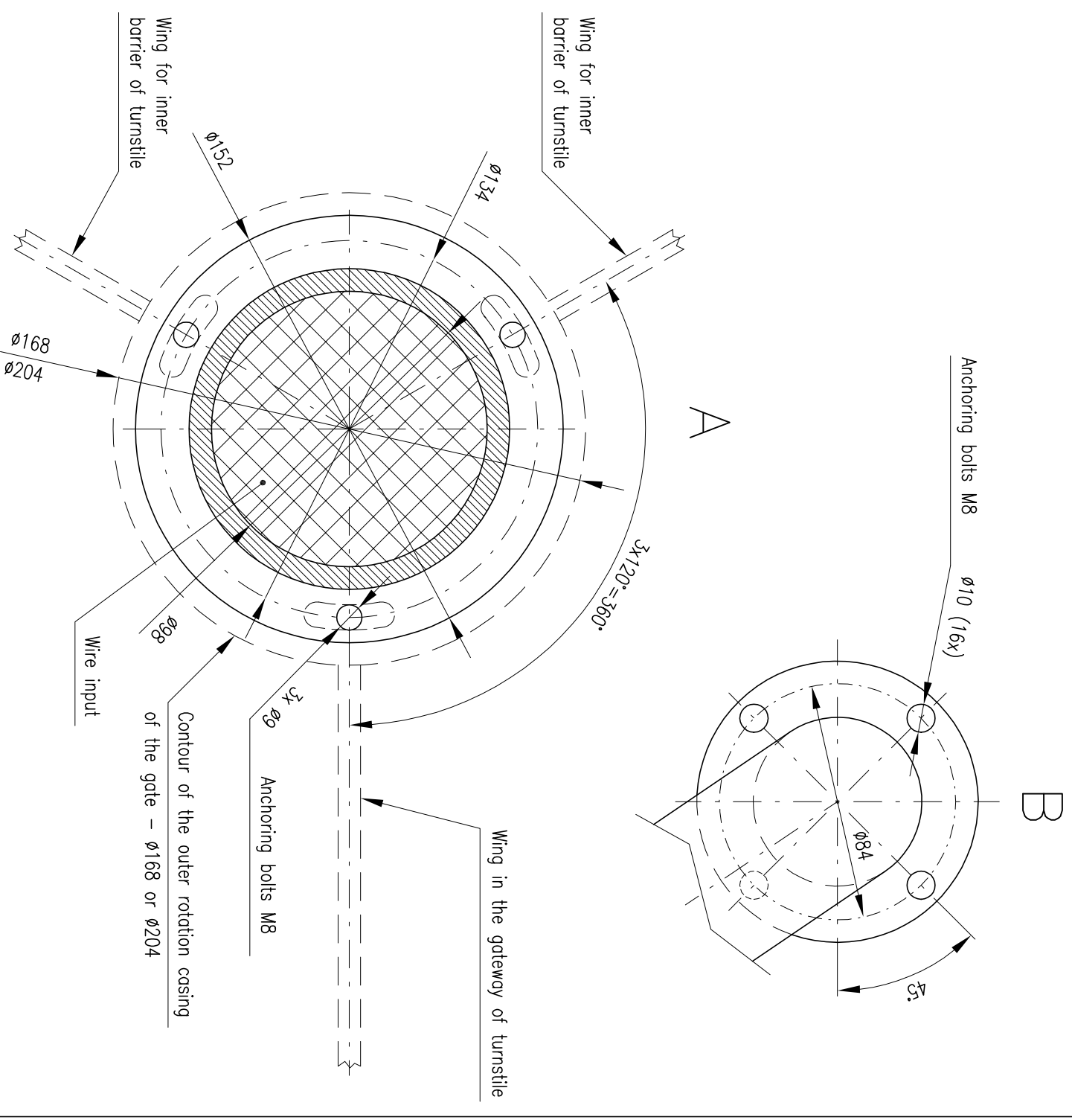
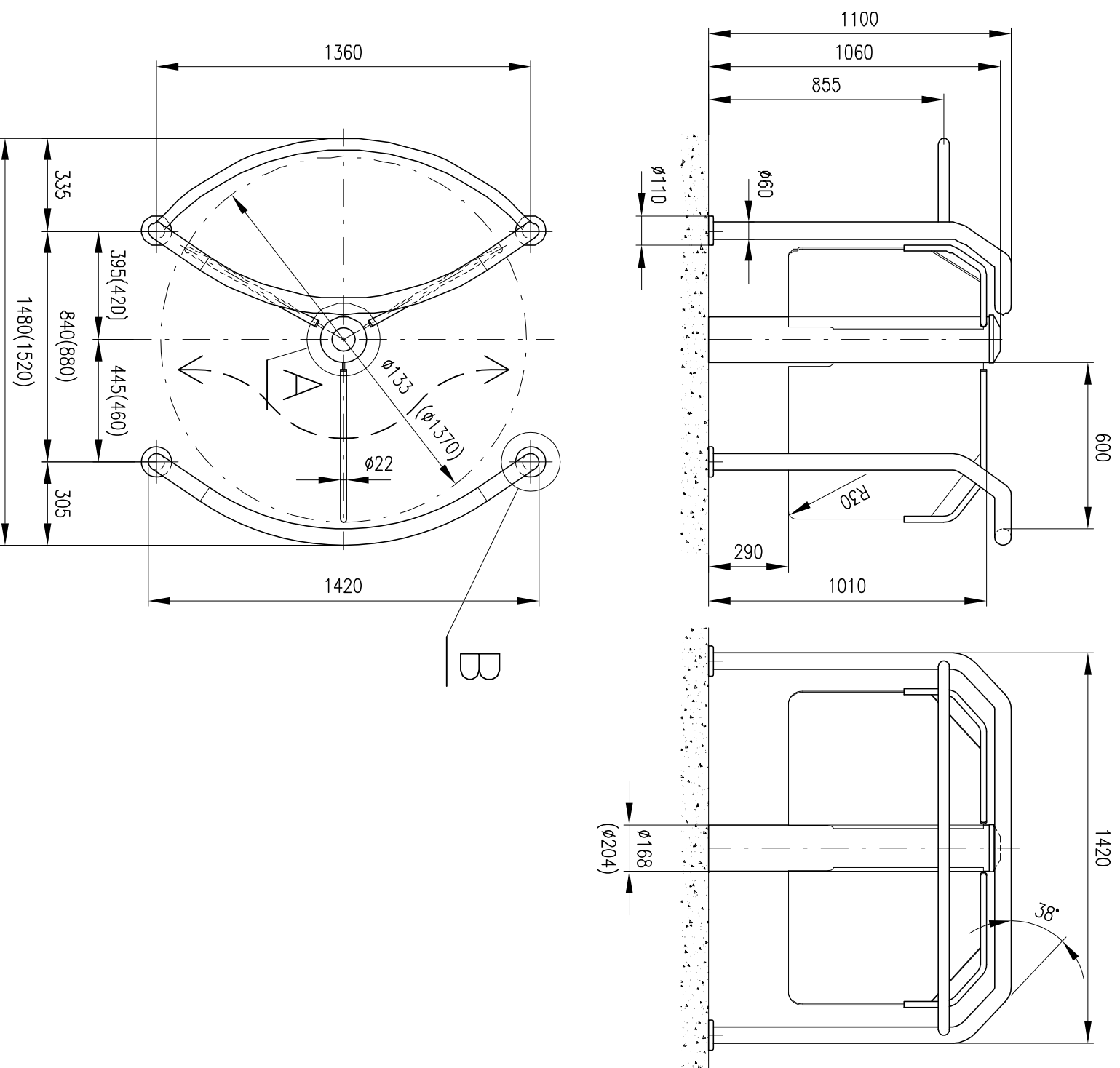


M1:20



- Kable entry for RFID reader by any barrier
- Dimensions in the brackets are valid for design of turnstile with outer rotation casing of the gate $\varnothing 204\text{mm}$

Date	11/10/2010	Drewed by	Material						
Size	A3	Project:	Turnstile ROUND-E						
Scale	1:2	Title:	Anchoring dimensions						
		D.No.	PK 101011-3						
		Order No.							
		Part/Parts							
		Version							

CODARINI