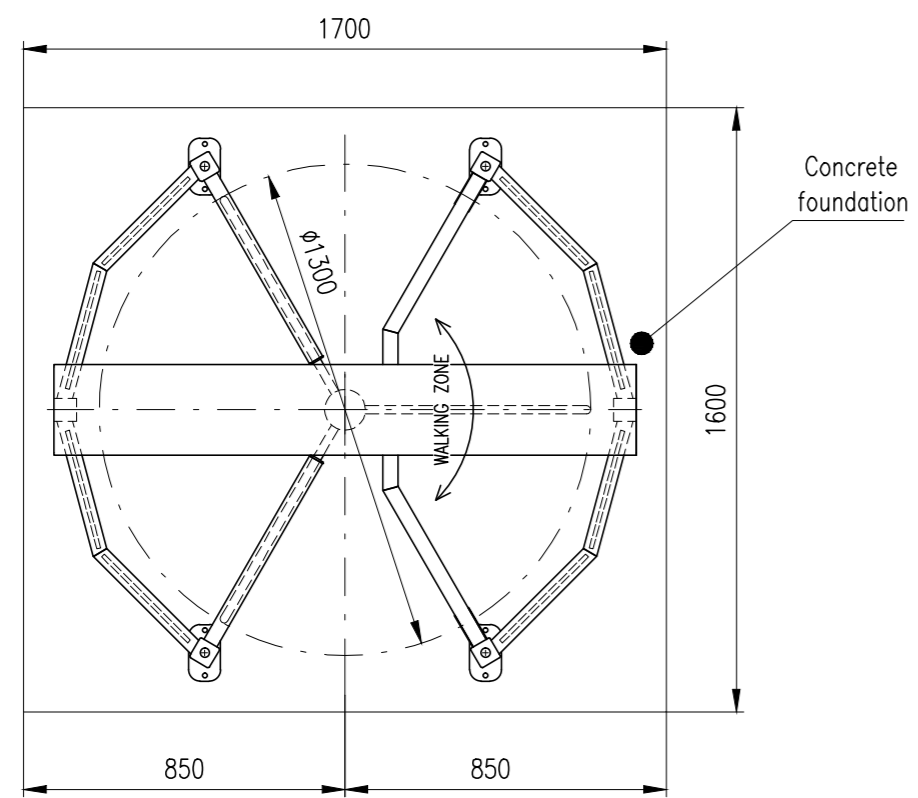
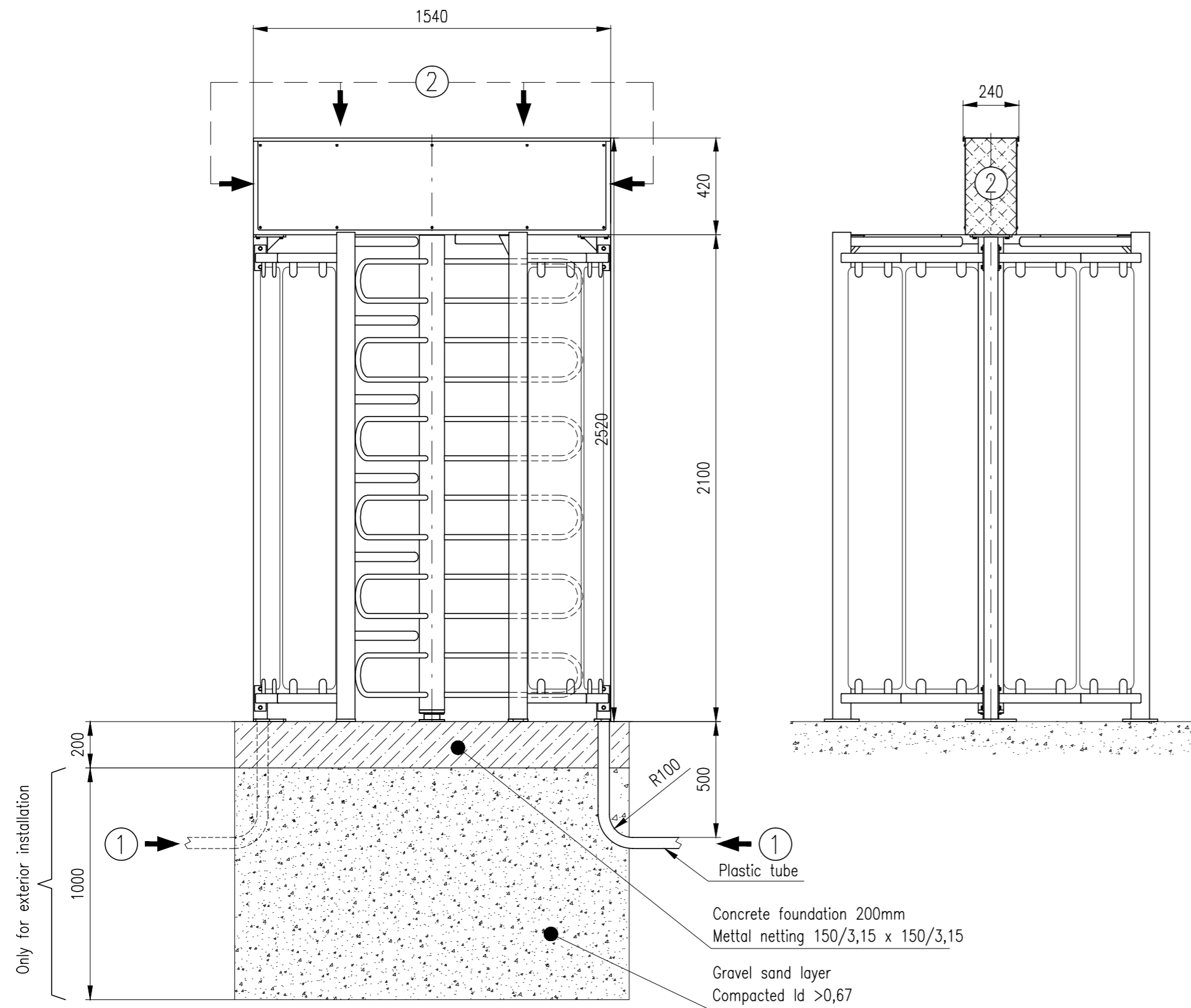


M1:20

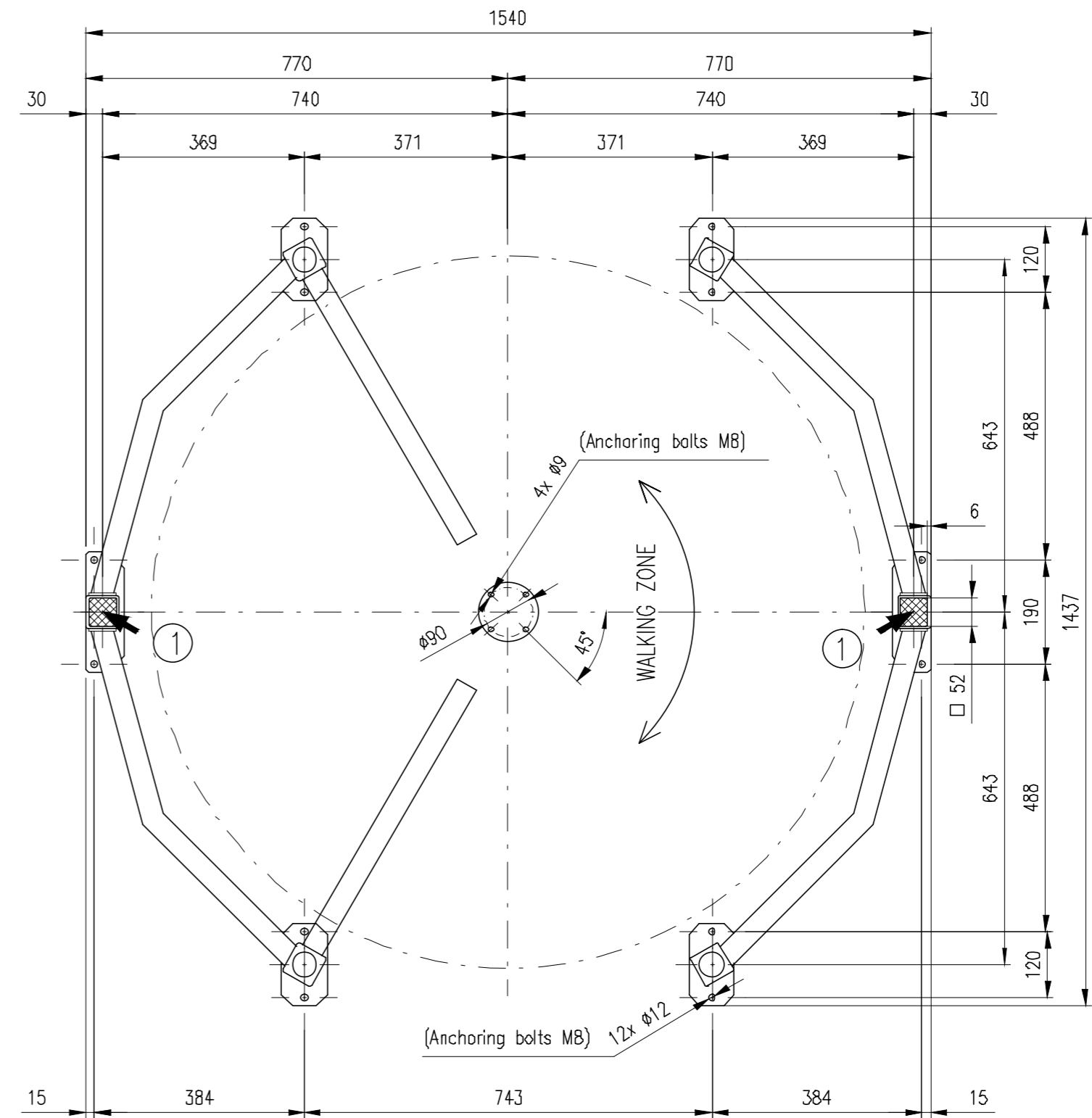


LEGEND:

- ← ① 1. OPTIONS - BOTTOM WIRE INPUT - USABLE MOSTLY FOR EXTERIOR INSTALLATION
- ← ② 2. OPTIONS - TOP WIRE INPUT - USABLE MOSTLY FOR INTERIOR INSTALLATION

Turnstile foundation: REXON-ERA-3-GS-U

M1:10



	Date	14.1.2014	Drawn by	Material	Order No.
	Size	A2	Project: Turnstile REXON-ERA-3-GS-U		
	Scale	1:10	Title: Anchoring dimensions		Part/Parts PJ 140114-2