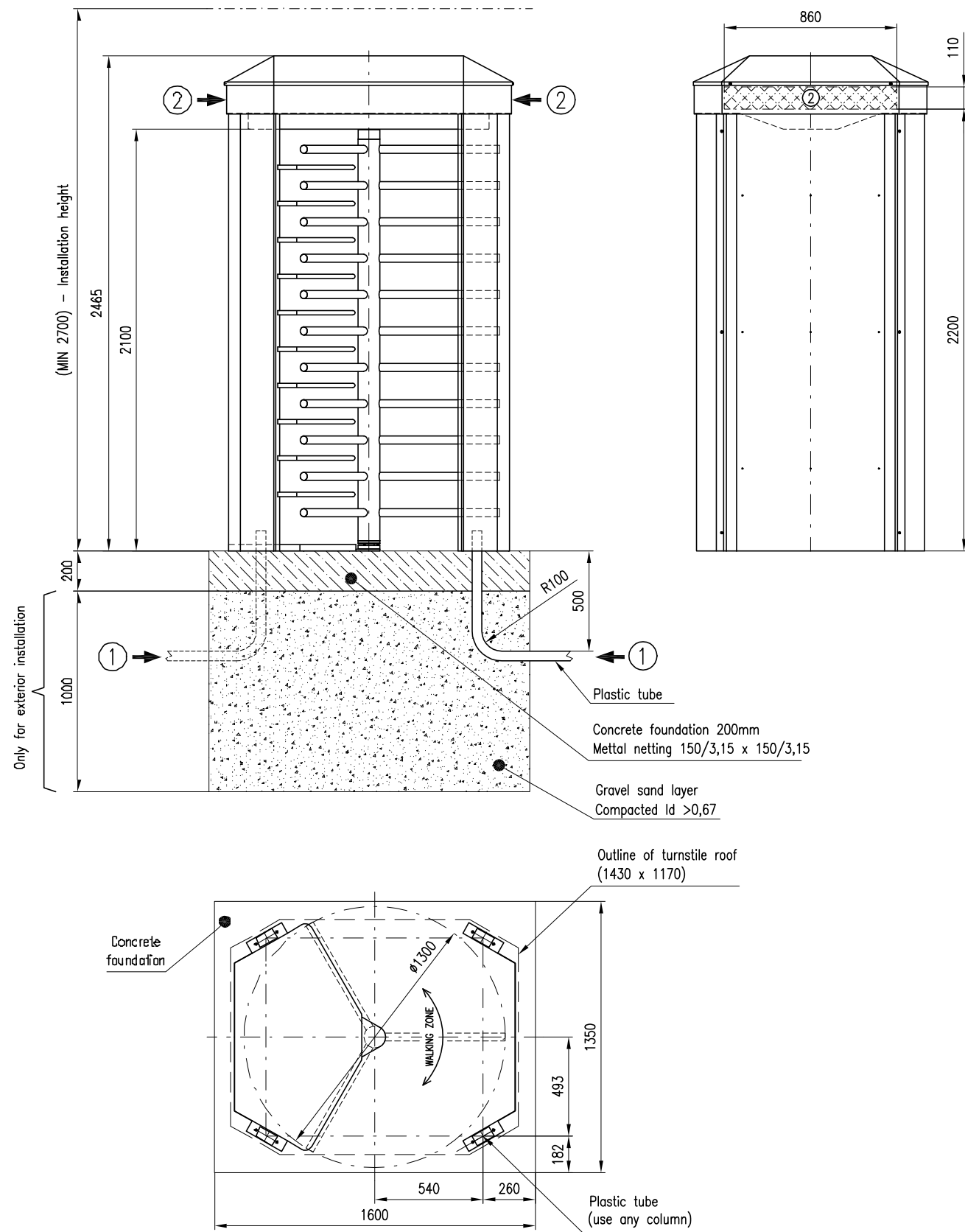
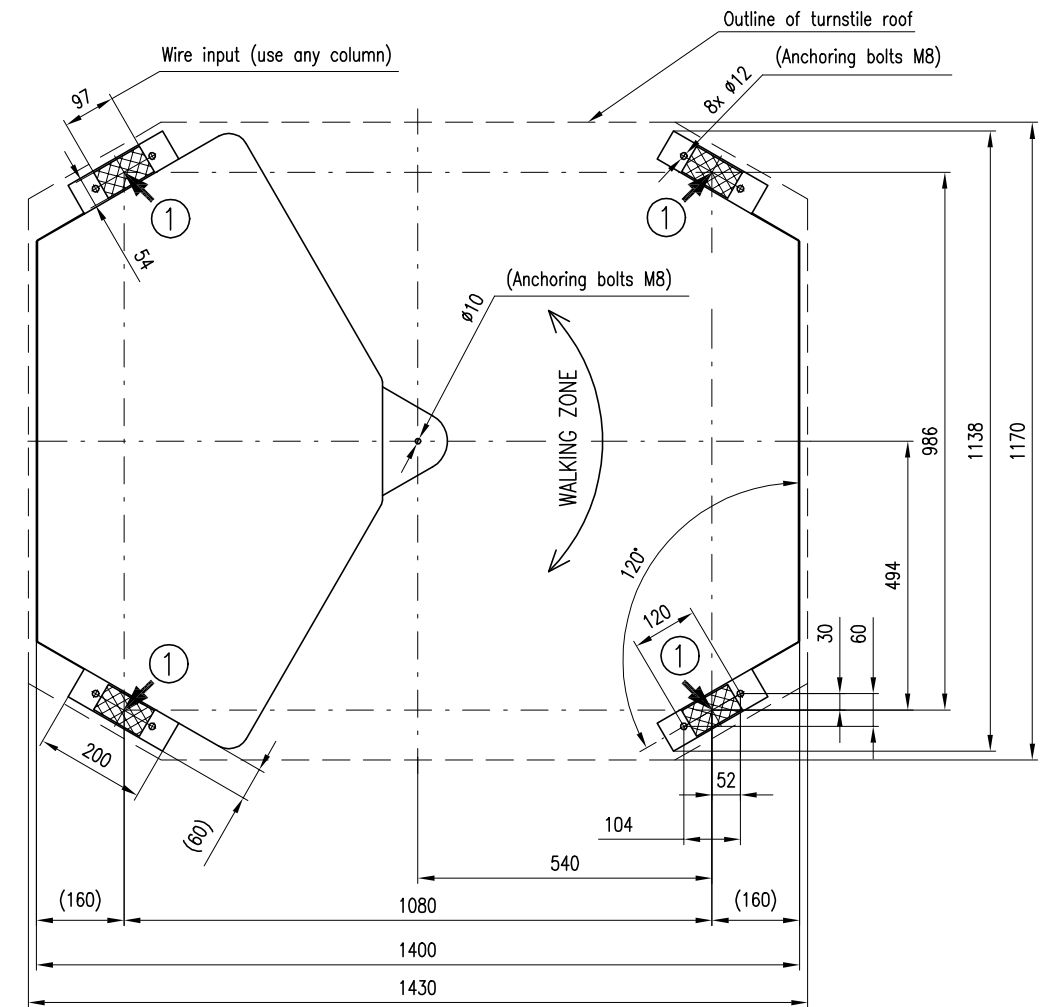


M1:20



Turnstile foundation: REXON-DEA

M1:10



LEGEND:

① 1. OPTIONS - BOTTOM WIRE INPUT - USABLE MOSTLY FOR EXTERIOR INSTALLATION

② 2. OPTIONS - TOP WIRE INPUT - USABLE MOSTLY FOR INTERIOR INSTALLATION

	Date	17.12.2013	Drawn by		Material		Order No.		
	Size	A2	Project:	Turnstile REXON-DEA					
Scale	1:10	Title:	Anchoring dimensions				D.No.	PJ 131217-1	Part/Parts