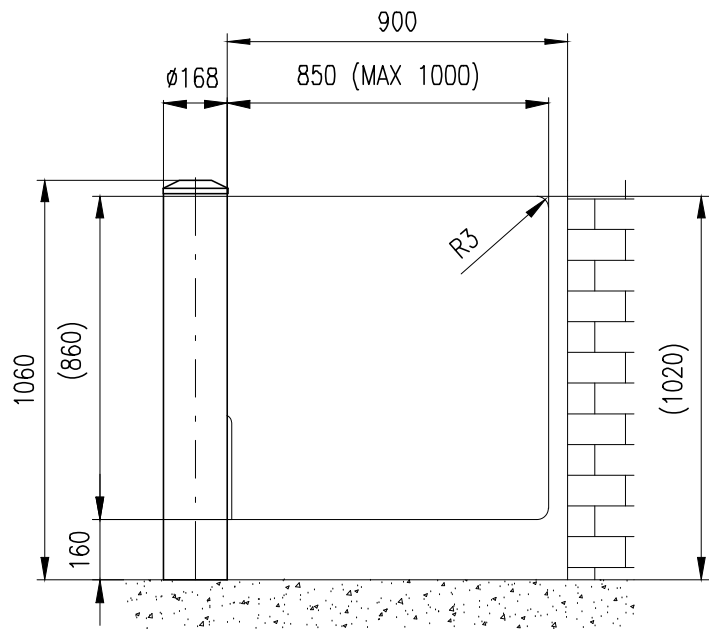
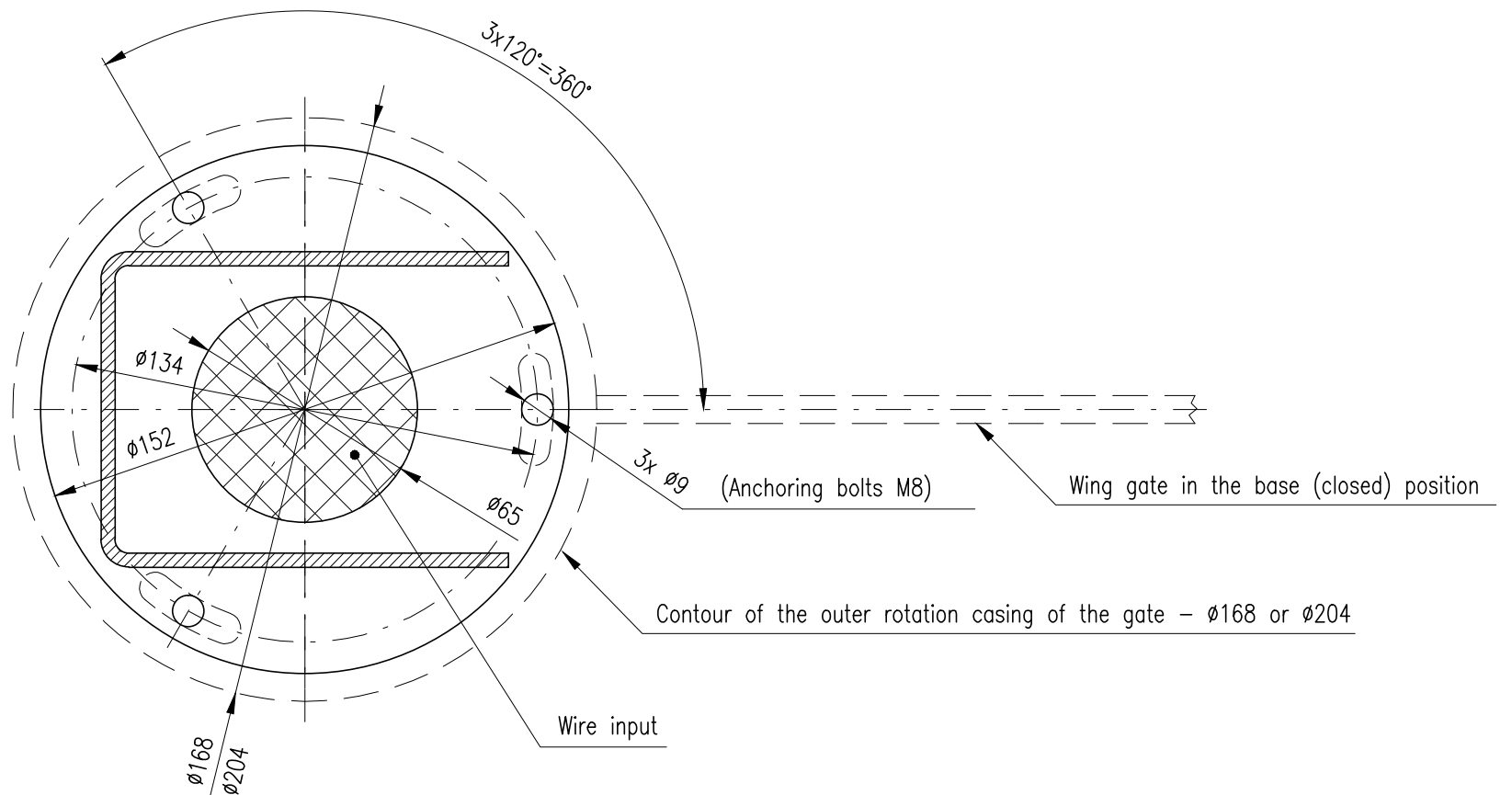
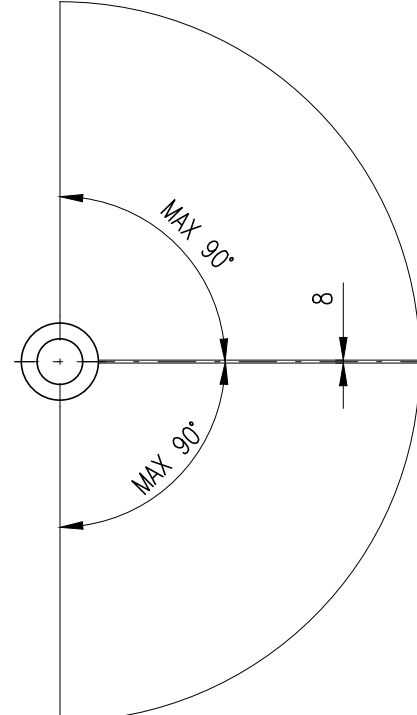
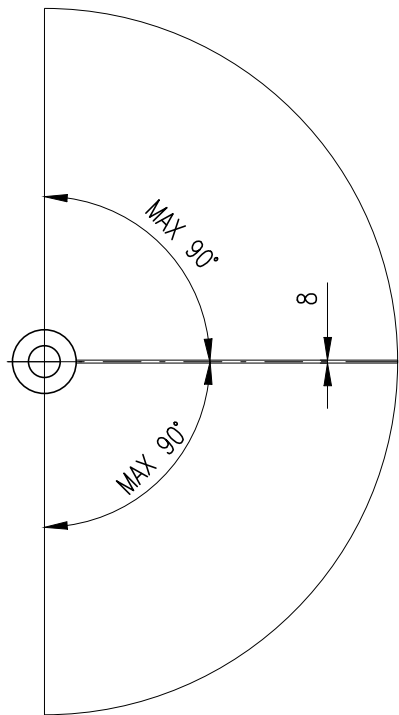
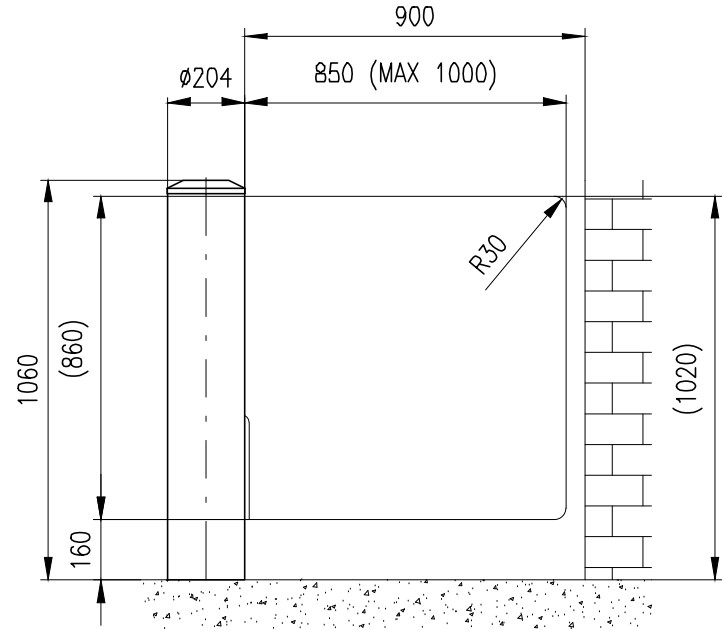


PEGAS-GL-E-168  
M1:20



PEGAS-GL-E-204  
M1:20



Date	06/09/2011	Drawn by		Material					<b>CODARINI</b>
Size	A3	Project:	Gate PEGAS-GL-E				Order No.	Part/Parts	
Scale	1:2	Title:	Anchoring dimensions				D.No.	PK 110906-5	Version