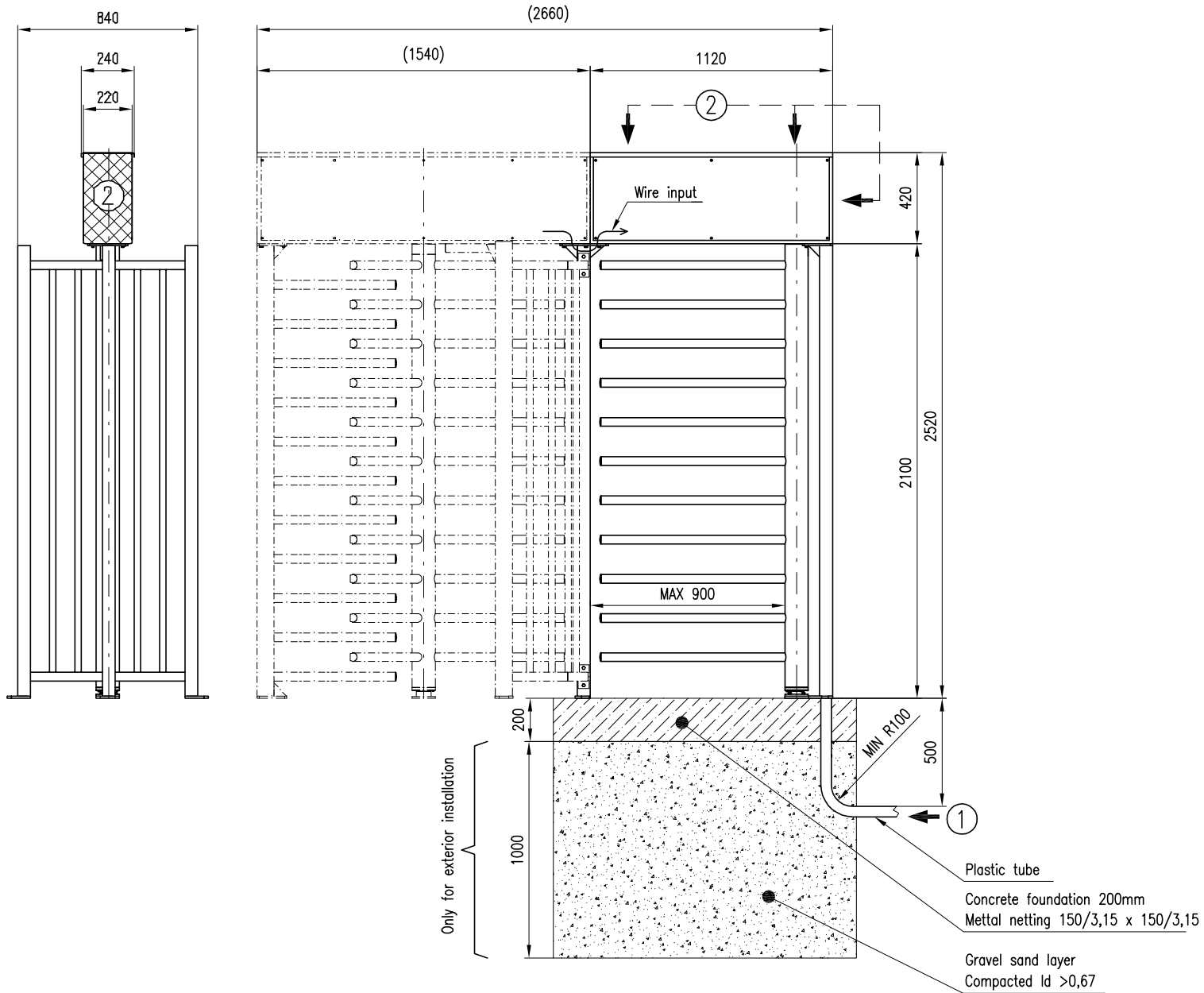


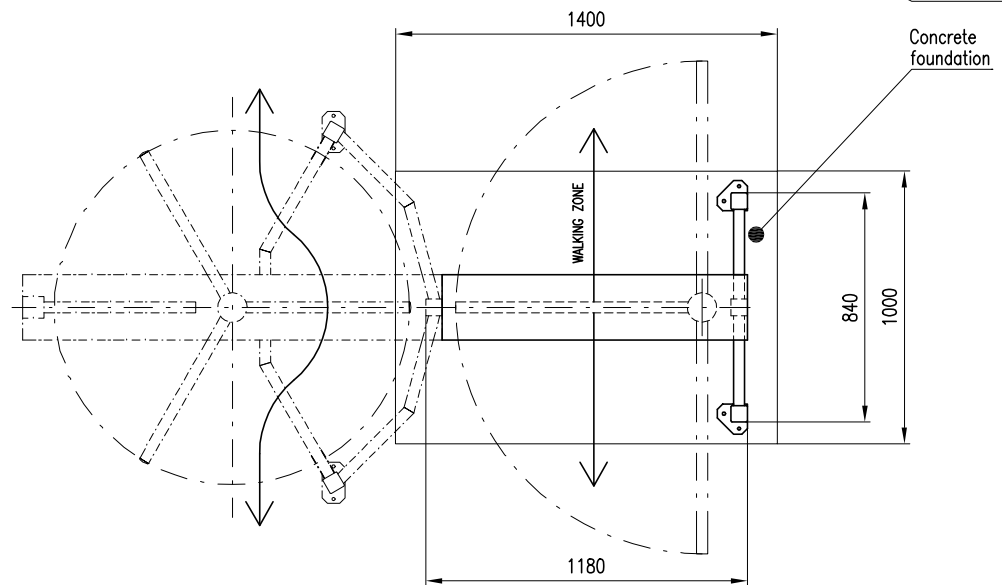
M1:20



Only for exterior installation

MINI R100

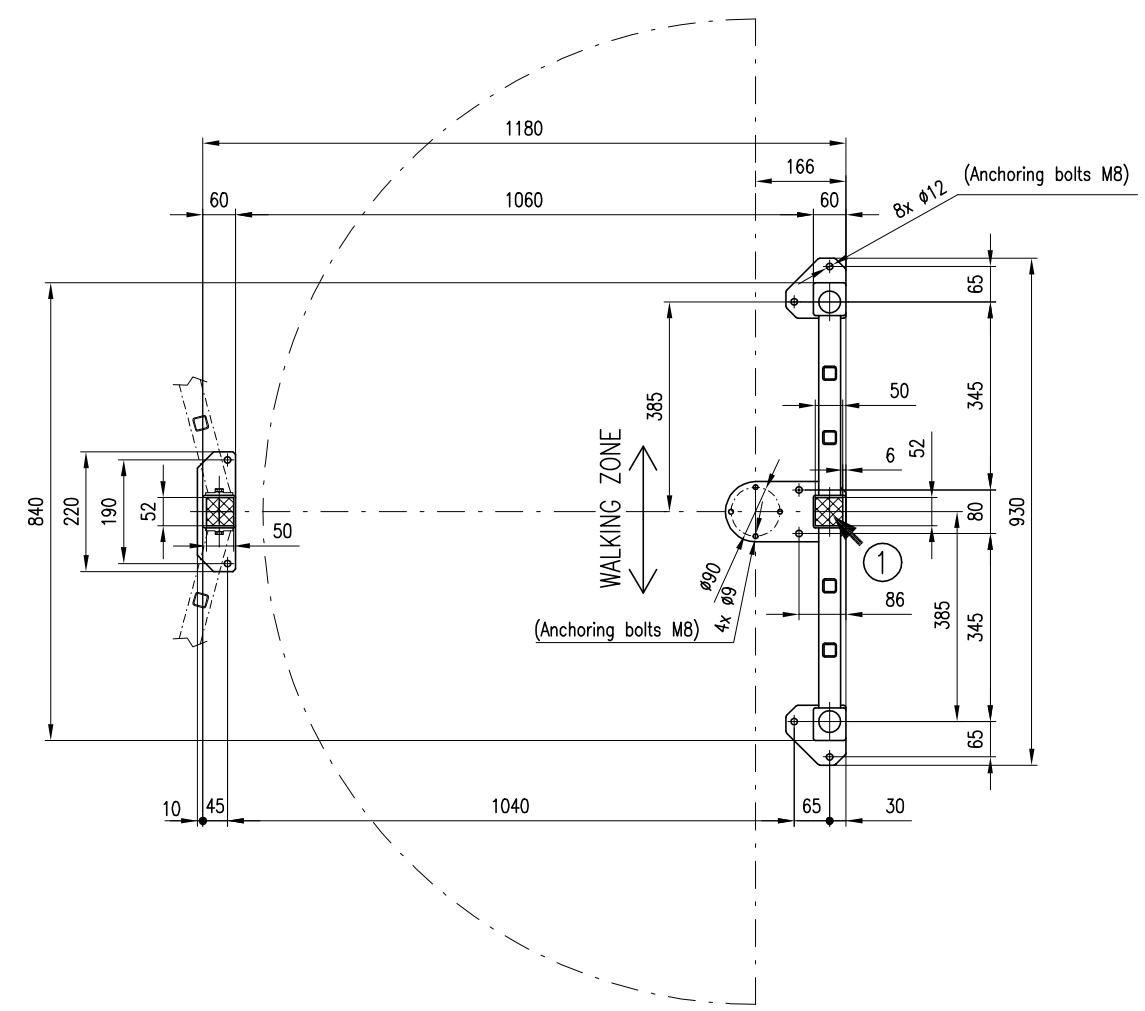
Plastic tube
Concrete foundation 200mm
Mettal netting 150/3,15 x 150/3,15
Gravel sand layer
Compacted Id >0,67



LEGEND:

- ← ① 1. OPTIONS - BOTTOM WIRE INPUT - USABLE MOSTLY FOR EXTERIOR INSTALLATION
- ← ② 2. OPTIONS - TOP WIRE INPUT - USABLE MOSTLY FOR INTERIOR INSTALLATION

Gate foundation: GATE-ERA
M1:10



Dimensions apply to the gate with the passage of 900 mm
For another passage it is necessary to adjust the dimensions of the frame

	Date	31.8.2012	Drawed by	Material	Order No.
	Size	A2	Project: Turnstile GATE-ERA		
	Scale	1:10	Title: Anchoring dimensions	D.No. PJ 120831-1	Part/Parts