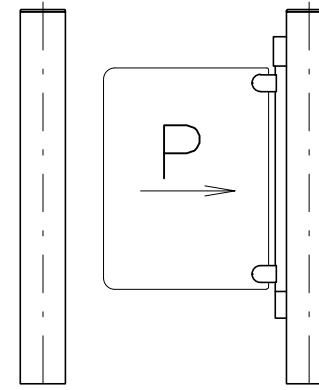
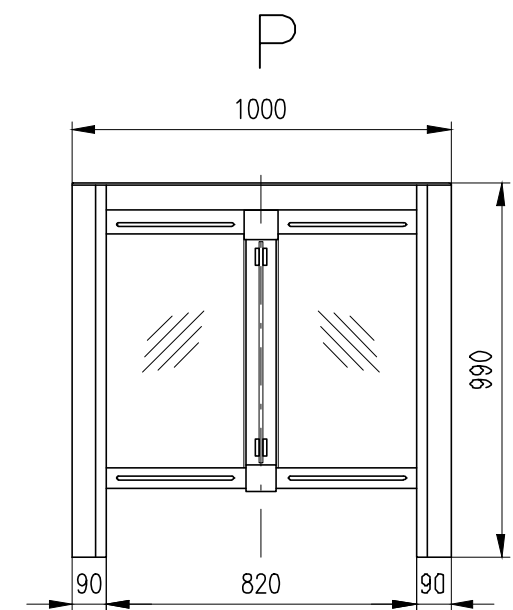
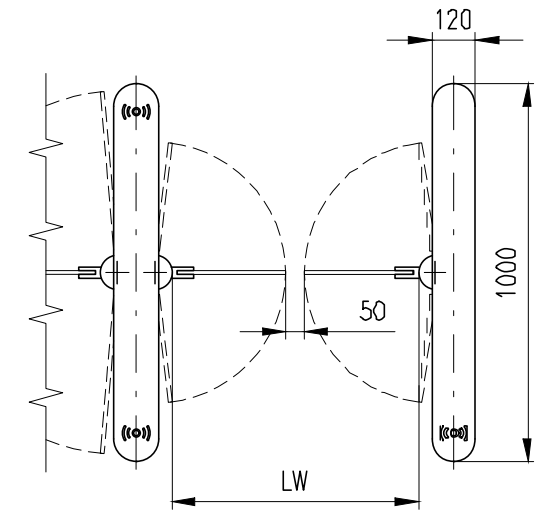
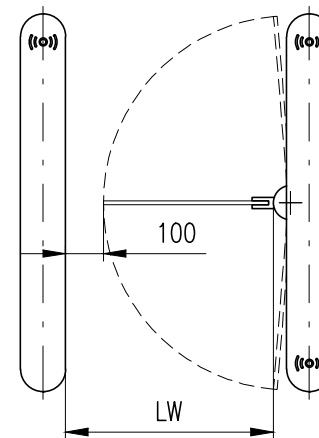
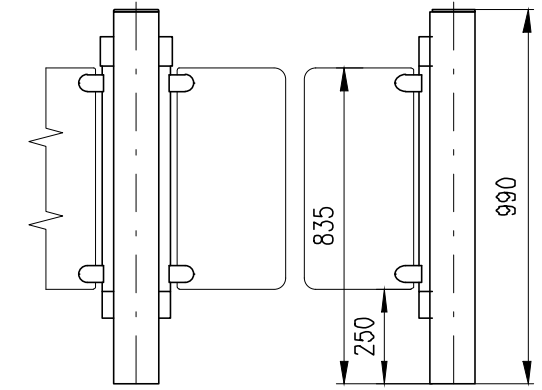


M 1:20

One wing variant



Two wings variant



- WIRE INPUT (50 x 60)

	Date	01.02.2019	Drawn by	Material	Order No.
	Size	Project: EasyGate-SG/SR-1000 (Model 2019)			
Scale	1:10	Title:	Anchoring dimensions		D.No. PK 190201-1
					Part/Parts